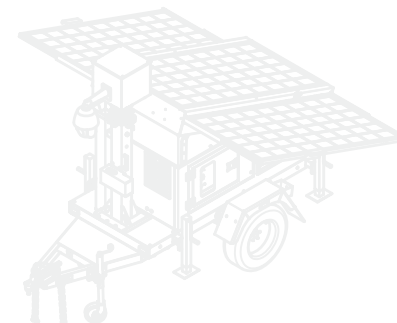


Born For Rental

# MOBILE POWER SOLUTION

Designed To Meet Variety Of Needs  
Mobile Power Solution Featured With

- Mobile Solar LED Lighting
- Mobile Solar Surveillance
- Mobile Solar Generator
- Mobile Solar Telecom





## OUR PRODUCTS



**HiLIGHT**  
Mobile Solar Light Tower



**HiSECURITY**  
Mobile Solar Surveillance Tower



**HiCUBE**  
Mobile Solar Lighting & Surveillance



**HiPOWER**  
Mobile Solar Generator



**HiGUARD**  
Portable Solar Lighting & Surveillance



**HiWIND**  
Hybrid Wind & Solar Generator

## BIGLUX INNOVATION LTD

By adopting the latest SOLAR TRAILER and TOWER technology, BIGLUX develops and implements the most energy saving solar light tower, solar surveillance tower and other mobile power solutions for construction site, parking lot, sports, events and emergency applications etc.

### 5A WE HAVE

A strong expertise in SOLAR TRAILER and MOBILE POWER latest technologies

A broad experience in SOLAR TRAILER and MOBILE POWER applications

An insatiable thirst for smart intelligent controlled SOLAR TOWER system

A background of over 10 years' experience in SOLAR and MOBILE TRAILER industry

A great heart of contribution to the world by renewable energy

Headquarter in ShenZhen, China, BIGLUX services clients from all over the world.



# HiLIGHT™

## MOBILE SOLAR LIGHT TOWER

Rental. Sale. Own. Lease



### HIGH EFFICIENCY LED LIGHT

HiLIGHT series solar lighting tower is equipped with high efficiency LED flood light to guarantee optimal use of the battery and solar system.

### 360° ROTATION & 90° TILT

All lights can be 360° rotated and 90° tilted so each light's angle is adjustable. Customer can adjust ideal lighting angle according to on-site situation.

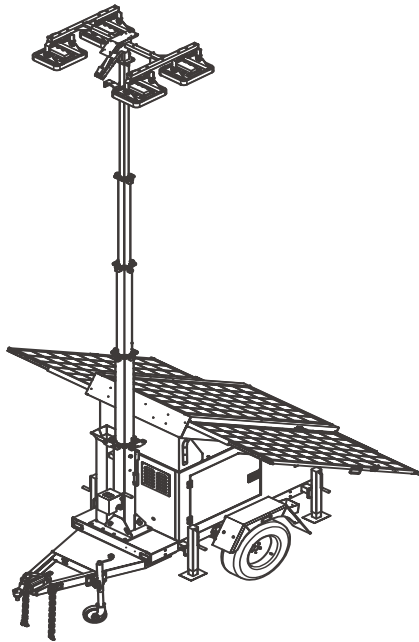
### DIMMABLE LIGHTING

The lighting time and brightness can be setup by MPPT controller. The lights can be equipped with motion sensor for dimming.

### MOBILE SOLAR TRAILER

The lighting tower is mounted on the mobile solar trailer so it can be easily transported and deployed for temporary work site. The whole system is heavy duty design for utility working.

## PRODUCT SKETCH



## TECHNICAL DATA

Models	BL2P-G6MHL400	BL3P-G7MHL600	BL4P-G9EHL600	BL6P-G9HHL1200	BL8P-G12HHL1500
Light Wattage	4*100W LED Lights	4*150W LED Lights	4*150W LED Lights	6*200W LED Lights	6*250W LED Lights
Lights Output	DC24V, 60000Lumens	DC24V, 90000Lumens	DC24V, 90000Lumens	DC48V, 180000Lumens	DC48V, 225000Lumens
Solar Panel Type	Monocrystalline Silicon	Monocrystalline Silicon	Monocrystalline Silicon	Monocrystalline Silicon	Monocrystalline Silicon
Solar Panel Wattage	2*435W	3*435W	4*435W	6*435W	8*435W
PV Controller	MPPT 40A, 95% Efficiency	MPPT 60A, 95% Efficiency	MPPT 40A, 95% Efficiency	MPPT 60A, 95% Efficiency	MPPT 80A, 95% Efficiency
Battery Type	Lead Acid Battery	Lead Acid Battery	Lead Acid Battery	Lead Acid Battery	Lead Acid Battery
Battery QTY	4*150AH,DC12V	6*150AH,DC12V	8*150AH,DC12V	12*150AH,DC12V	16*150AH,DC12V
Battery Capacity	7200WH	10800WH	14400WH	21600WH	28800WH
System Voltage	DC24V	DC24V	DC48V	DC48V	DC48V
Maximum Height	6 Meters	7 Meters	9 Meters	9 Meters	12 Meters
Wind Rating Speed	117KM/H	117KM/H	117KM/H	117KM/H	117KM/H
Lifting System	Manual	Manual	Electric	Hydraulic	Hydraulic
Axle No.	Single	Single	Single	Dual	Dual
Tyre and Rim	14 Inch	15 Inch	15 Inch	15 Inch	15 Inch
Stabilizer Leg	4pcs Manual	4pcs Manual	4pcs Manual	4pcs Manual	4pcs Manual
Tow Hitch	50mm Ball/ 70mm Ring	50mm Ball/ 70mm Ring	50mm Ball/ 70mm Ring	50mm Ball/ 70mm Ring	50mm Ball/ 70mm Ring
Working Temperature	-25°C-60°C	-25°C-60°C	-25°C-60°C	-25°C-60°C	-25°C-60°C
Charging Time	6.9 Hours	6.9 Hours	6.9 Hours	6.9 Hours	6.9 Hours
Running Time	14.4 Hours	14.4 Hours	19.2 Hours	14.4 Hours	15.4 Hours
Optional	360° Rotation And 90° Tilted, Lithium Battery, Battery Charger, Inverter, Remote Control, Back-up Generator, Wind Turbine				
Transport Dimensions	2900*1500*2500mm	3200*1600*2500mm	3250*2200*2700mm	3700*2300*2500mm	3700*2300*2500mm
Operate Dimensions	2900*2500*6000mm	3200*3400*7000mm	3250*4400*9000mm	3700*6500*9000mm	4700*6500*12000mm
Gross Weight	1000KG	1450KG	1600KG	2400KG	2860KG
Container Loading	20GP: 6pcs, 40HQ: 14pcs	20GP: 3pcs, 40HQ: 7pcs	20GP: 2pcs, 40HQ: 5pcs	20GP: 2pcs, 40HQ: 4pcs	20GP: 2pcs, 40HQ: 4pcs



# HiSECURITY™

## MOBILE SURVEILLANCE TOWER

Rental. Sale. Own. Lease

The HiSECURITY series Solar Trailer is an autonomously-powered surveillance trailer that can be rapidly deployed practically at any location, providing security for construction job sites, parking lots, public events or any off-grid location that requires video monitoring.

- Social events Temporary portable security
- Parking lot security and remote monitoring
- Construction Site Security
- Solar Farms security and remote monitoring
- Farms security and remote monitoring
- Ports and Airports mobile Security
- Border patrol locations Monitoring
- Traffic Monitoring / Vehicle Counting



### CCTV MOUNTING

CCTV mounting box is ready on top of the surveillance trailer tower. Customer can mount bullet cameras and PTZ dome cameras as their like. 4G Router, Antenna and Speaker can be mounted on the box too.



### LIGHTS & CAMERAS MOUNTING

For comprehensive on-site working needs, we have specially designed the mounting box with arms for both lights and cameras mounting. Net cable + power cables are ready on the top of tower.



### BACK-UP GENERATOR

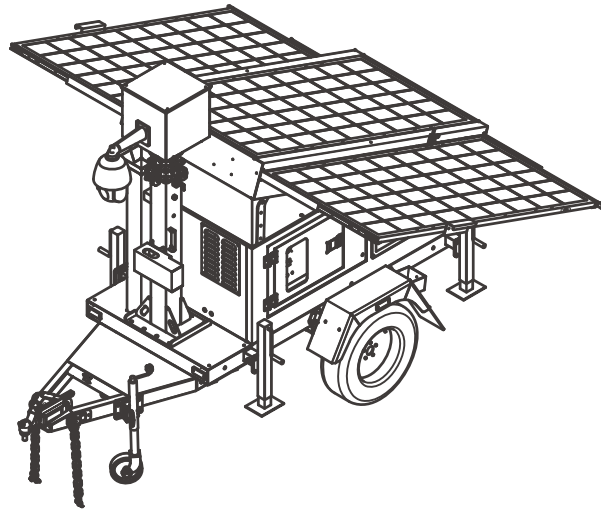
Our mobile surveillance trailer can be equipped with back-up generator, so it can continuously work in rainy or cloudy days to protect your assets even there is no sun.



### AC POWER INPUT & OUTPUT

International standard input plugs or output sockets are equipped. The inverter and battery charger are optional for customer's needs, so the trailer can be charged by utility AC power when there is no sun or supply power for charging other electronics.

## PRODUCT SKETCH



## TECHNICAL DATA

Models	BL1P-G6MHS	BL2P-G6MHS	BL3P-G7MHS	BL4P-G9EHS	BL6P-G9EHS
Solar Panel Type	Monocrystalline Silicon	Monocrystalline Silicon	Monocrystalline Silicon	Monocrystalline Silicon	Monocrystalline Silicon
Solar Panel Wattage	1*435W	2*435W	3*435W	4*435W	6*435W
PV Controller	MPPT 40A, 95% Efficiency	MPPT 40A, 95% Efficiency	MPPT 60A, 95% Efficiency	MPPT 60A, 95% Efficiency	MPPT 80A, 95% Efficiency
Battery Type	Lead Acid Battery	Lead Acid Battery	Lead Acid Battery	Lead Acid Battery	Lead Acid Battery
Battery QTY	2*150AH, DC12V	4*150AH, DC12V	6*150AH, DC12V	8*150AH, DC12V	12*150AH, DC12V
Battery Capacity	3600WH	7200WH	10800WH	14400WH	21600WH
System Voltage	DC12V	DC24V	DC24V	DC48V	DC48V
CCTV Mounting	Junction Box with PoE Switch	Junction Box with PoE Switch	Junction Box with PoE Switch	Junction Box with PoE Switch	Junction Box with PoE Switch
Spring Cables	2*Cat6 + 2* Power Supply	2*Cat6 + 2* Power Supply	2*Cat6 + 2* Power Supply	2*Cat6 + 2* Power Supply	2*Cat6 + 2* Power Supply
Maximum Height	6 Meters	6 Meters	7 Meters	9 Meters	9 Meters
Wind Rating Speed	117KM/H	117KM/H	117KM/H	117KM/H	117KM/H
Lifting System	Manual	Manual	Manual	Electric	Electric
Axle No.	Single	Single	Single	Single	Dual
Tyre and Rim	14 Inch	14 Inch	15 Inch	15 Inch	15 Inch
Stabilizer Leg	4pcs Manual	4pcs Manual	4pcs Manual	4pcs Manual	4pcs Manual
Tow Hitch	50mm Ball/ 70mm Ring	50mm Ball/ 70mm Ring	50mm Ball/ 70mm Ring	50mm Ball/ 70mm Ring	50mm Ball/ 70mm Ring
Working Temperature	-25°C-60°C	-25°C-60°C	-25°C-60°C	-25°C-60°C	-25°C-60°C
Charging Time	6.9 Hours	6.9 Hours	6.9 Hours	6.9 Hours	6.9 Hours
Running Time	3 Days for 40W	3 Days for 80W	3 Days for 120W	3 Days for 160W	3 Days for 240W
Optional	Cameras, 4G Router, NVR, Remote Control, Antenna, AC Battery Charger, Inverter, Back-up Generator, Lithium Battery				
Transport Dimensions	2900*1500*2500mm	2900*1500*2500mm	3200*1600*2500mm	3250*2200*2700mm	3700*2300*2500mm
Operate Dimensions	2900*2500*6000mm	2900*2500*6000mm	3200*3400*7000mm	3250*4400*9000mm	3700*6500*9000mm
Gross Weight	750KG	950KG	1300KG	1550KG	2350KG
Container Loading	20GP: 6pcs, 40HQ: 14pcs	20GP: 6pcs, 40HQ: 14pcs	20GP: 3pcs, 40HQ: 7pcs	20GP: 2pcs, 40HQ: 5pcs	20GP: 2pcs, 40HQ: 4pcs

# HiCUBE™

## MOBILE SOLAR TOWER

Rental. Sale. Own. Lease

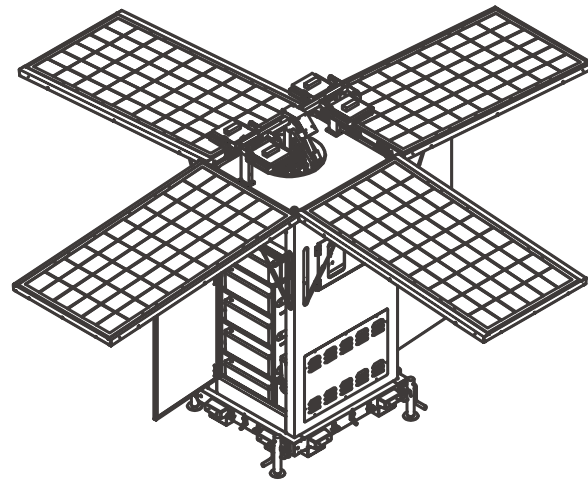
The essential function of HiCUBE solar tower is the same as solar trailer tower.

It is more comprehensive and compact design with features:

- Smaller size to save cost for storage and transportation
- 2.2m high body, too high to be destroyed or stolen by thief
- 1000KG+ weight with 4 outriggers to ensure stability
- Durable base to ensure long-term using life
- 4 forklift holes to meet temporary and mobility needs
- 4 rings for HIAB hook lifting and deployment
- Born for rental business



## PRODUCT SKETCH



## TECHNICAL DATA

Models	BL2P-G7EHCS	BL3P-G7EHCS	BL4P-G9EHCS	BL3P-G7EHCL400	BL4P-G9HHCL600
Solar Panel Type	Monocrystalline Silicon	Monocrystalline Silicon	Monocrystalline Silicon	Monocrystalline Silicon	Monocrystalline Silicon
Solar Panel Wattage	2*435W	3*435W	4*435W	3*435W	4*435W
PV Controller	MPPT 40A, 95% Efficiency	MPPT 60A, 95% Efficiency	MPPT 60A, 95% Efficiency	MPPT 60A, 95% Efficiency	MPPT 60A, 95% Efficiency
Battery Type	Lead Acid Battery	Lead Acid Battery	Lead Acid Battery	Lead Acid Battery	Lead Acid Battery
Battery QTY	4*150AH,DC12V	6*150AH,DC12V	8*150AH,DC12V	6*150AH,DC12V	8*150AH,DC12V
Battery Capacity	7200WH	10800WH	14400WH	10800WH	14400WH
System Voltage	DC24V	DC24V	DC48V	DC24V	DC48V
Devices	CCTV Box with PoE Switch	CCTV Box with PoE Switch	CCTV Box with PoE Switch	4*100W LED Lights, 60000Lums	4*150W LED Lights, 90000Lums
Spring Cables	2*Cat6 + 2* Power Supply	2*Cat6 + 2* Power Supply	2*Cat6 + 2* Power Supply	2* Power Supply	2* Power Supply
Maximum Height	7 Meters	7 Meters	9Meters	7 Meters	9 Meters
Wind Rating Speed	117KM/H	117KM/H	117KM/H	117KM/H	117KM/H
Lifting System	Electric	Electric	Electric	Electric	Hydraulic
Stabilizer Leg	4pcs Manual	4pcs Manual	4pcs Manual	4pcs Manual	4pcs Manual
Working Temperature	-25°C-60°C	-25°C-60°C	-25°C-60°C	-25°C-60°C	-25°C-60°C
Charging Time	6.9 Hours	6.9 Hours	6.9 Hours	6.9 Hours	6.9 Hours
Running Time	6 Days for 40W	4.5 Days for 80W	4 Days for 120W	21.6 Hours for 400W	19.2 Hours for 600W
Optional	Cameras, 4G Router, NVR, Speaker, Remote Control, Antenna, Battery Charger, Inverter, 360° Rotation And 90° Tilted, Lithium Battery				
Transport Dimensions	1100*1200*2600mm	1100*1200*2600mm	1100*1200*2600mm	1100*1200*2600mm	1100*1200*2600mm
Operate Dimensions	4700*4700*7000mm	4700*4700*7000mm	4700*4700*9000mm	4700*4700*7000mm	4700*4700*9000mm
Gross Weight	1080KG	1200KG	1300KG	1250KG	1370KG
Container Loading	20GP: 8pcs, 40HQ: 16pcs	20GP: 8pcs, 40HQ: 16pcs	20GP: 8pcs, 40HQ: 16pcs	20GP: 8pcs, 40HQ: 16pcs	20GP: 8pcs, 40HQ: 16pcs

# HiPOWER™

## MOBILE SOLAR GENERATOR

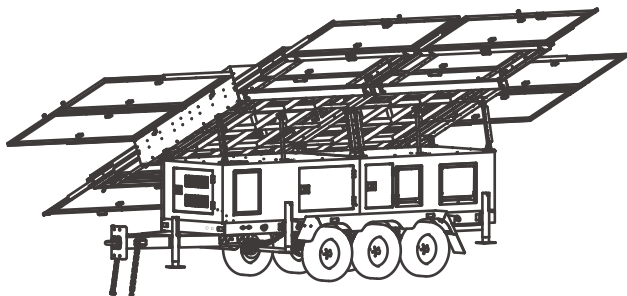
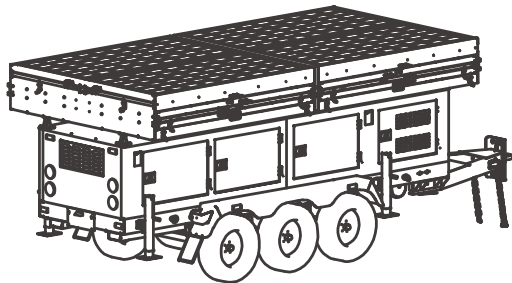
Rental. Sale. Own. Lease

HiPOWER Mobile solar generator is a portable power system that uses solar panels to convert sun's energy into DC electricity and store that electricity power in batteries for later use. With inverters, the power in batteries can be used for charging electronics.

BIGLUX mobile solar generator mounted on trailer has larger capacity to support your applications. It is a good alternative to diesel or petrol generator with clean, renewable energy and low maintenance, but longer life time.



### PRODUCT SKETCH



### TECHNICAL DATA

Models	BL8P-GHP	BL10P-GHP	BL12P-GHP	BL14P-GHP	BL16P-GHP
Solar Panel Type	Monocrystalline Silicon	Monocrystalline Silicon	Monocrystalline Silicon	Monocrystalline Silicon	Monocrystalline Silicon
Solar Panel Wattage	8*435W	10*435W	12*435W	14*435W	16*435W
PV Controller	MPPT 80A, 95% Efficiency	MPPT 100A, 95% Efficiency	MPPT 2x60A, 95% Efficiency	MPPT 2x80A, 95% Efficiency	MPPT 2x80A, 95% Efficiency
Battery Type	Lead Acid Battery	Lead Acid Battery	Lead Acid Battery	Lead Acid Battery	Lead Acid Battery
Battery QTY	16*150AH, 12V	20*150AH, 12V	24*150AH, 12V	28*150AH, 12V	32*150AH, 12V
Battery Capacity	28800WH	36000WH	43200WH	50400WH	57600WH
System Voltage	DC48V	DC48V	DC48V	DC48V	DC48V
Inverter	8KW/8KW 50/60HZ, pure sine wave		10KW/10KW 50/60HZ, pure sine wave		
Input Plug	1xAC240V/AC120V		2xAC240V/AC120V		
Output Socket	3xAC240V/AC120V		4xAC240V/AC120V		
Axle No.	Dual	Dual	Triple	Triple	Triple
Tyre and Rim	15 Inch	15 Inch	15 Inch	15 Inch	15 Inch
Stabilizer Leg	4pcs Manual	4pcs Manual	4pcs Manual	4pcs Manual	4pcs Manual
Tow Hitch	50mm Ball/ 70mm Ring	50mm Ball/ 70mm Ring	70mm Ring	70mm Ring	70mm Ring
Working Temperature	-25°C-60°C	-25°C-60°C	-25°C-60°C	-25°C-60°C	-25°C-60°C
Charging Time	6.9 Hours	6.9Hours	6.9 Hours	6.9 Hours	6.9 Hours
Running Time	2.9 hrs for 8kW	2.9 hrs for 10kW	2.9 hrs for 12kW	2.9 hrs for 14kW	2.9 hrs for 16kW
Optional	Antenna, Mast, Router, Wifi, GPRS, Battery Charger, Inverter, Back-up Generator, Wind Turbine				
Transport Dimensions	2600*2200*2200 mm	2600*2200*2000mm	4600*2200*2200mm	4600*2200*2200mm	4600*2200*2200mm
Operate Dimensions	5800*6400*2300mm	6400*6400*2300mm	5700*6400*2200mm	7500*6400*2200mm	8400*6400*2200mm
Gross Weight	2600KG	2800KG	3000KG	3200KG	3400KG
Container Loading	20GP: 2pcs, 40HQ: 4pcs	20GP: 2pcs, 40HQ: 4pcs	40HQ: 2pcs	40HQ: 2pcs	40HQ: 2pcs

# HiGUARD™

## PORTABLE SOLAR LIGHTING & SURVEILLANCE

Rental. Sale. Own. Lease

- Installation free
- Maintenance free
- Environmental friendly
- Affordable Price



### PANEL ANGLE ADJUSTABLE

Specially designed durable solar panel mounting brackets with adjustable angle rotation. Customers can adjust the solar panel angle according to the direction of the sun in order to make better use of solar energy.

### FRIENDLY DESIGN

Pluggable lithium battery design is easy for customer who want use their own LifePO4 battery.

### DIMMING LED LIGHT

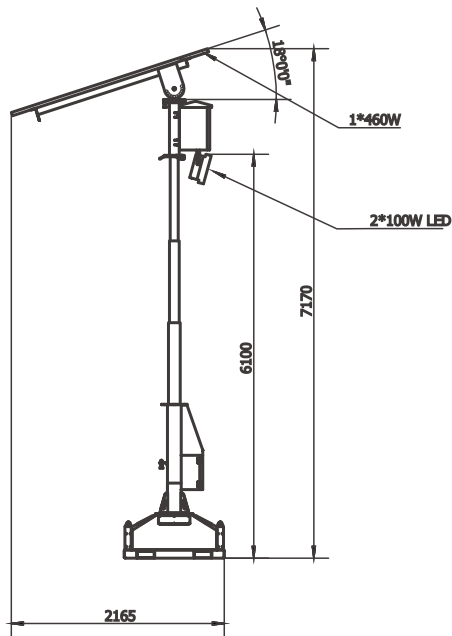
The portable tower with high efficiency LED lights and the lights are equipped with dimming sensor for energy saving lighting.

### SURVEILLANCE SOLUTION

The portable tower can be equipped with cameras security guard and remote monitoring for working site or events.

## PRODUCT SKETCH

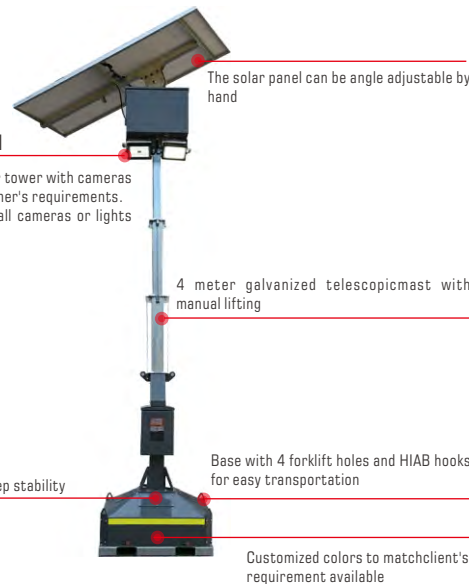
## MAIN FEATURES



### CUSTOMIZED DESIGN

**Option1:** BIGLUX supply solar tower with cameras or lights according to customer's requirements.  
**Option2:** Customer can install cameras or lights on the solar tower locally.

Durable base with sand to keep stability



### CONTAINER LOADING

**Assembled:** 10 units for 20' GP container  
 20 units for 40' HQ container  
**Disassembled:** 14 units for 20' GP container  
 32 units for 40' HQ container





**YOUR POWER OUR PASSION**



**BIGLUX INNOVATION LTD**

[www.bigluxpower.com](http://www.bigluxpower.com) [www.bigluxled.com](http://www.bigluxled.com)

**WhatsApp:** +86 188 1878 5601

**Hot-Line:** +86 199 2655 3189

**Email:** [info@bigluxpower.com](mailto:info@bigluxpower.com)

**Head Office:** #1002 West Tower, LaoBing Building,  
No. 3012 XingYe Rd, BaoAn, ShenZhen, China

**Factory Add:** #25-1 NanShan Rd, QuJiang  
District, QuZhou City, ZheJiang Province, China